

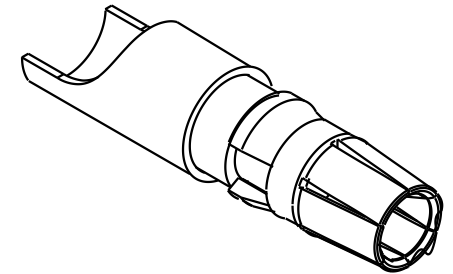
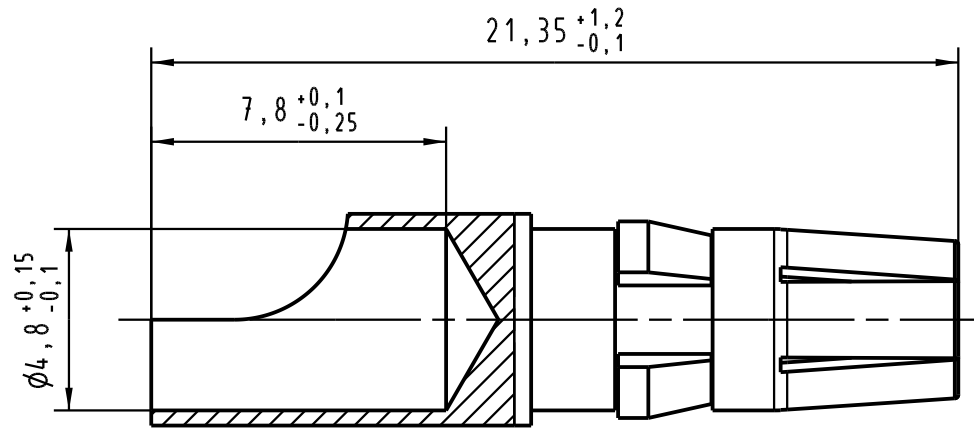




Product details

09 03 000 6203

High current contacts for type M

Description	High current contacts, type M Female contacts Contacts for female connectors Working current 40A max. Standard contacts Straight solder terminations Performance level 2 as per IEC 60603-2
RoHS compliant	Yes



 All Dimensions in mm Original Size DIN A 4			Techn. Character. DIN 41626 Teil 1			Nicht tolerierte Maß/Free size tolerances DIN 41626 Teil 1				
				Dat.	Name	Maßstab/Scale 5:1	Hochstromkontaktbuchse 40A Löt für Federleiste Typ M <i>female power contact 40A solder for female connector type M</i>			
			Detail.	19.07.02	Buß.					
			Insp.	19.07.02	kfoe					
			Stand.							
32680	21.04.05	Hil	HARTING Electronics GmbH & Co. KG				TB 09 03 000 6203			Blatt/ page
30079			D-32339 ESPELKAMP							
Mod.	Dat.	Name					Sub. TB 09 03 000 620. Mod. 14667 v. 21.04.93			